

## PT-2100



### KEEPER II NON-RECHARGEABLE - LITHIUM / THIONYL CHLORIDE

**Product Name** Cylindrical Battery

### APPLICATIONS

Airports; Emergency; Industrial; Inventory Management; Measuring/Monitoring; Medical; Military; Navigation; Specialized Products

### PERFORMANCE SPECIFICATIONS

<b>Voltage (Volts)</b>	3.5
<b>Capacity (MilliAmp-Hours)</b>	2400
<b>Temperature:Low (Fahrenheit)</b>	-67
<b>Temperature:High (Fahrenheit)</b>	185

### DIMENSIONS AND WEIGHT

<b>Width/Diameter (Inches)</b>	0.55
<b>Length/Depth (Inches)</b>	1.97
<b>Weight (grams)</b>	17.60

### CELL SIZE

**Cell Size/Type** AA

### PRODUCT NOTES

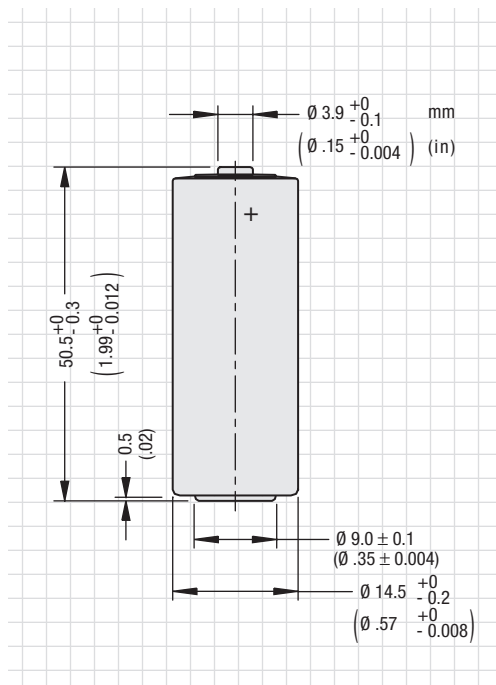
UL recognized, no charging circuits required, non-pressurized system

## SPECIFICATIONS PT-2100

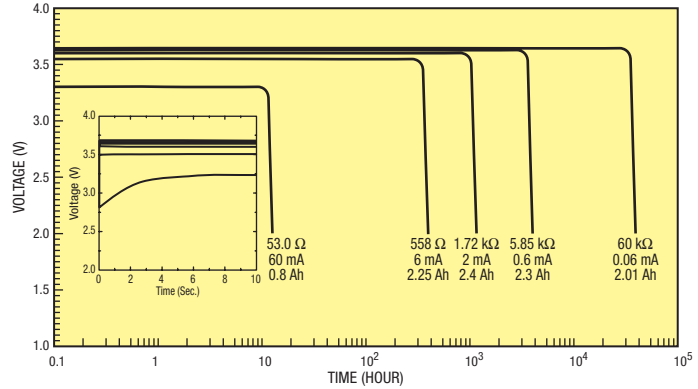
Typical values for batteries stored at 20°C for one year

Nominal Capacity (At 2mA/20°C/68°F/2.0V Cut-Off) .....	2.4 Ah
Open Circuit Voltage (At 20°C/68°F) .....	3.67 V
Nominal Voltage (At 2mA/20°C/68°F) .....	3.6 V
Maximum Continuous Current .....	100 mA
Maximum Pulse Current Capability .....	200 mA
Rated 1 Sec. Pulse Capability (To 3V) .....	40 mA
<b>Operating</b>	
Temperature Range.....	-55 to +85°C (-67 to +185°F)
Weight .....	17.6 g (0.62 oz)
Anode Surface Area .....	14 cm <sup>2</sup> (2.17 in <sup>2</sup> )
Volume .....	8.0 cm <sup>3</sup> (1.24 in <sup>3</sup> )
Diameter (Max) .....	14.5 mm (.57 in)
Height (Max) .....	50.5 mm (1.99 in)

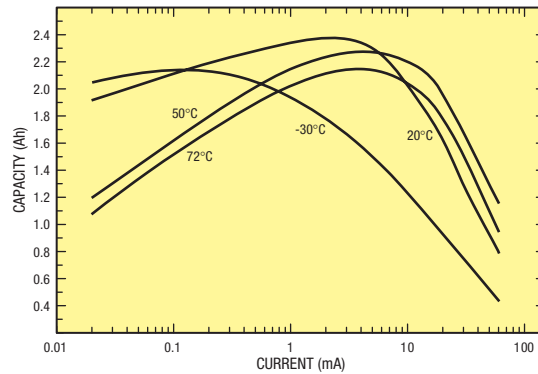
## PRODUCT SCHEMATIC



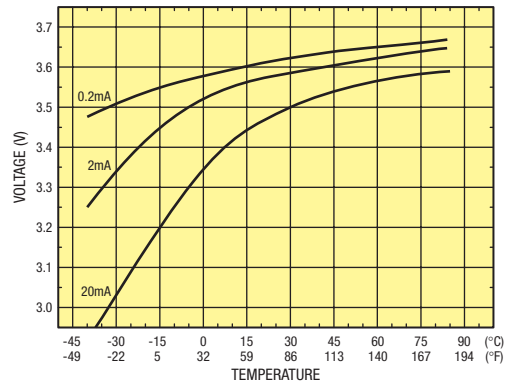
DISCHARGE CHARACTERISTICS AT +20°C (68°F)



CAPACITY vs. CURRENT



TEMPERATURE vs. OPERATING VOLTAGE



WARNING: Fire, Explosion And Severe Burn Hazard. Do Not Recharge, Crush, Disassemble, Heat Above 212°F (100°C), Incinerate Or Expose Contents To Water

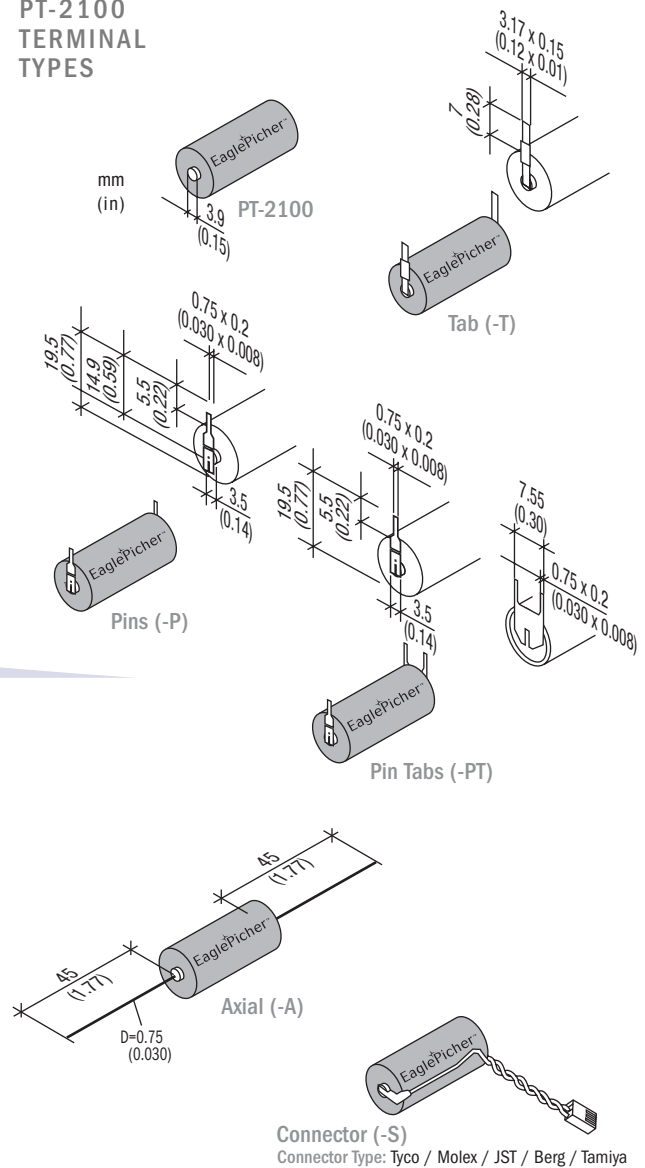
### THE ECONOMICAL HIGH-POWER SOLUTION

The EaglePicher PT Series of KEEPER® cells was developed as an economical, high-power option for design experts who prefer the cylindrical design. With sizes and capacities ranging from the 1200 mAh (PT-2150) to the 19,000 mAh (PT-2300H), this cylindrical design will provide the long life power needed for commercial applications.

### PT SERIES PRODUCT FEATURES

- Compliant with lead-free RoHS and WEEE EC directives.
- Stainless steel construction provides corrosion resistance, hermetic seal and structural integrity.
- Years of low-rate continuous use.
- Stand-by use with 80% capacity retention after 15 years at room temperature.
- Wave solderable (limit solder bath exposure to a maximum of 5 seconds).
- High energy density compared to other chemistries.
- No charging circuits required.
- Higher cell voltage allows for fewer cells and high reliability.
- Flat discharge characteristics provide optimum voltage regulation.
- Non-pressurized system allows for high-temperature usage.
- Underwriters Laboratories recognized component.

### PT-2100 TERMINAL TYPES



The specifications on this sheet may be changed by EaglePicher without notice.  
EaglePicher™ is a trademark of and Keeper® is a registered trademark of EaglePicher Corporation.